

Valves Range
1121 Gate Valve Lock -shield (Bronze)

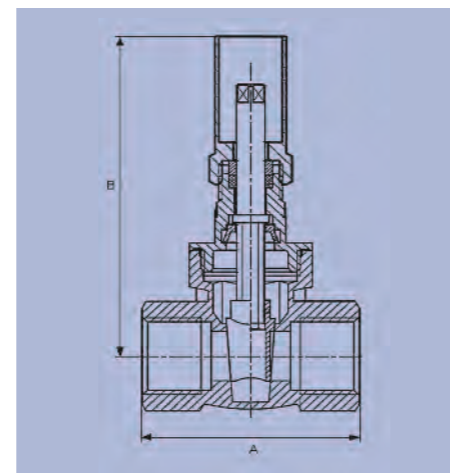


No	COMPONENT	Material	1120 - 1/2" - 2"
1	Stem	Bronze	BS EN 1982 CC491K
2	Packing Nut	Brass	BS EN 12165 CW617N
3	Packing	PTFE	PTFE
4	Bonnet	Bronze	BS EN 1982 CC491K
5	Body	Bronze	BS EN 1982 CC491K
6	Wedge	Bronze	BS EN 1982 CC491K
7	Seal	PTFE	PTFE
8	Stem Retainer	DZR Brass	BS EN 12165 CW602N
9	Packing Ring	Brass	BS EN 12165 CW617N
10	Ferrule	Brass	BS EN 12164 CW614N

Gate Valves are best for services that only need infrequent operation, where the gate is maintained at either fully open or fully closed. They should not be used for throttling the flow of fluid.

Features and Benefits:

- Designed in accordance with WRAS requirements
- Designed in accordance with BS EN 12288
- Lock shield key available
- Threads in accordance with BS EN 10226 (ISO7)

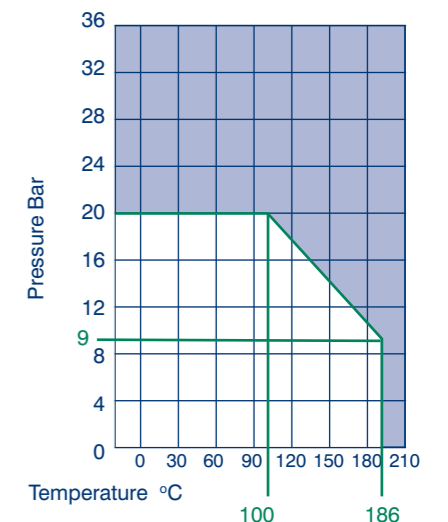


Valve Suitability									
Product	Steam	Water	Drinking Water	Oil	Air	Gas (Inert)	Gas (Combustible)	Gas (Corrosive)	Gas (Oxygen)
1121	✓	✓	✓	✓	x	x	x	x	x

Max. working parameters			
1121	Temp (°c)	bar	psi
Non Gas	-10 °c to + 120 °c	PN20	

Specification:

- Bronze Gate Valve designed in accordance with BS EN 12288.
- Kitemark approval pending.
- WRAS Approval pending.
- Bronze non-rising stem.
- Lockshield key operated.
- Bronze threaded bonnet.
- Bronze one piece wedge.
- Taper threaded BS EN 10226 (ISO 7-1) or parallel threaded to ISO228.



Gate Valve - 1121						
Size	DN	A	B	Weight (kg)	Order code BS EN 10226 (ISO 07) thread	Order code ISO 228 thread
1/2"	15	55	85	0.32	112120RRK200404	
3/4"	20	60	95	0.414	112120RRK200606	
1"	25	65	110	0.69	112120RRK200808	
1 1/4"	32	75	125	1.03	112120RRK201010	
1 1/2"	40	80	145	1.40	112120RRK201212	
2"	50	90	170	1.94	112120RRK201616	
2 1/2"	65	-	-	-	112120RRK202020	
3"	80	-	-	-	112120RRK202424	
4"	100	-	-	-	112120RRK203232	



*Conex|Bänninger products are approved by numerous Standards Authorities and Certification Bodies. For more details on this product range, please email our technical team at: technical@ibpgroup.com.

Conex Universal Limited: Global House, 95 Vantage Point, The Pensnett Estate, Kingswinford, West Midlands DY6 7FT, UNITED KINGDOM.
Tel: +44 (0)121 557 2831 | Fax: +44 (0)121 520 8778 | Email: salesuk@ibpgroup.co.uk | Website: www.ibpgroup.com