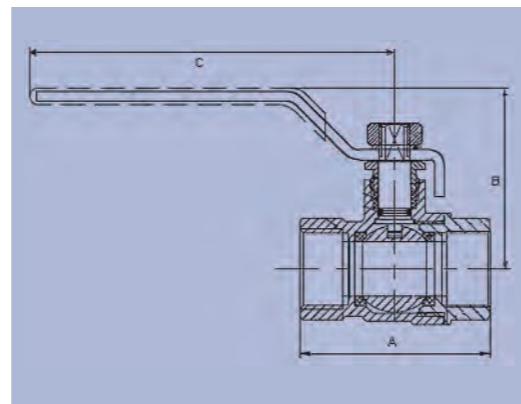




Features and Benefits:

- Full bore quarter turn ball valve
- Blow out proof stem
- Full DZR construction
- Threads to BS EN 10226 (ISO7)



Ball Valve - 1200

Size	DN	A	B	B2	C	Weight (kg)	Lever Handle Order Code BS EN 10226 (ISO 07) thread
1/2"	15	55	48	38	95	0.208	120050RRR250404
3/4"	20	65	52	42	95	0.312	120050RRR250606
1"	25	78	65	50	130	0.602	120050RRR250808
1 1/4"	32	91	69	55	130	0.924	120050RRR251010
1 1/2"	40	99	80	65	160	1.362	120050RRR251212
2"	50	119	88	72	160	2.224	120050RRR251616

Lever Handle Version: 1200 - 1/2" - 2"

No	COMPONENT	Material	Specification
1	End Connector	DZR Brass	BS EN 12164 CW602N
2	Ball	Brass - Chrome Plate	BS EN 12165 CW617N
3	Ball Seal	PTFE	PTFE M111
4	Body	DZR Brass	BS EN 12164 CW602N
5	Stem	DZR Brass	BS EN 12164 CW602N
6	Stem O Ring	EPDM	EPDM WRAS
7	Gland	PTFE	PTFE M111
8	Packing Nut	Brass	BS EN 12165 CW617N
9	Lever Handle	Steel +PVC	Q235 + PVC
10	Washer	Stainless Steel	SS304
11	Lever Nut	Stainless Steel	SS304

Valve Suitability

Product	Steam	Water	Drinking Water	Oil	Air	Gas (Inert)	Gas (Combustible)	Gas (Corrosive)	Gas (Oxygen)
1200	✓	✓	✓	✓	✓	x	x	x	x

Max. working parameters

1200	Temp (°c)	Bar	psi
Non Gas	-10 to 120°C	PN25	

Specification:

DZR Brass Body, Stem and Cap.
 Chrome plated Brass ball.
 PTFE seats and stem seal.
 Quarter Turn, Tight Shut-off.
 Lever operated.

This valve is not suitable for use on group 1 gases or unstable fluids, as defined by the Pressure Equipment Directive 97/23/EC.