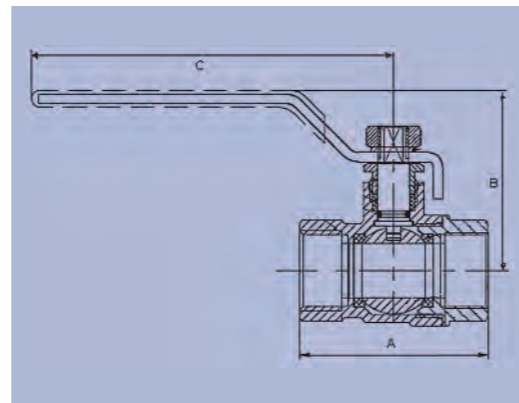




Features and Benefits:

- Full bore quarter turn ballvalve
- Blow out proof stem
- Thread connections to BS EN 10226 (ISO7) or to ISO 228



Ball Valve - 1260							Lever Handle Order Code BS EN 10226 (ISO 07) thread	
Size	DN	A	B	B2	C	Weight (kg)		
1/2"	15	50	48	38	95	0.186	126013RRR250404	
3/4"	20	58	52	42	95	0.244	126013RRR250606	
1"	25	69	65	50	130	0.462	126013RRR250808	
1 1/4"	32	81	69	55	130	0.614	126013RRR251010	
1 1/2"	40	89	80	65	160	0.938	126013RRR251212	
2"	50	110	88	72	160	1.436	126013RRR251616	

Lever Handle Version: 1260 - 1/2" - 2"			
No	COMPONENT	Material	Specification
1	End Connector	Brass	BS EN 12165 CW617N
2	Ball	Brass - Chrome Plate	BS EN 12165 CW617N
3	Ball Seal	PTFE	PTFE M111
4	Body	Brass	BS EN 12165 CW617N
5	Stem	Brass	BS EN 12165 CW617N
6	Stem O Ring	EPDM	EPDM WRAS
7	Gland	PTFE	PTFE M111
8	Packing Nut	Brass	BS EN 12165 CW617N
9	Lever Handle	Steel +PVC	Q235 + PVC
10	Washer	Stainless Steel	SS304
11	Lever Nut	Stainless Steel	SS304

Valve Suitability									
Product	Steam	Water	Drinking Water	Oil	Air	Gas (Inert)	Gas (Combustible)	Gas (Corrosive)	Gas (Oxygen)
1260	x	✓	✓	✓	✓	x	x	x	x

Max. working parameters			
1260	Temp (°c)	Bar	psi
Non Gas	-10 °c to + 120 °c	PN25	

Specification:

Brass Body, Stem and Cap.
 Chrome plated Brass ball.
 PTFE seats and stem seal.
 Quarter Turn, Tight Shut-off.
 Lever operated.

This valve is not suitable for use on group 1 gases or unstable fluids, as defined by the Pressure Equipment Directive 97/23/EC.