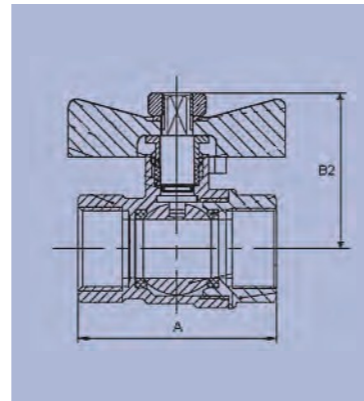


Valves Range
1265 QT Ball Valve PN25 – Red Tee – Short Series



Features and Benefits:

- Full bore quarter turn ball valve
- Blow out proof stem
- Thread connections to BS EN 10226 (ISO7) or to ISO 228



Ball Valve - 1265

Size	DN	A	B	B2	C	Weight (kg)	Tee Handle Order Code BS EN 10226 (ISO 07) thread
1/2"	15	50	48	38	95	0.186	126513RRT250404
3/4"	20	58	52	42	95	0.244	126513RRT250606
1"	25	69	65	50	130	0.462	126513RRT250808
1 1/4"	32	81	69	55	130	0.614	
1 1/2"	40	89	80	65	160	0.938	
2"	50	110	88	72	160	1.436	

Tee Handle Version: 1265 - 1/2" - 1"

No	COMPONENT	Material	Specification
1	End Connector	Brass	BS EN 12165 CW617N
2	Ball	Brass - Chrome Plate	CW617N
3	Ball Seal	PTFE	PTFE M111
4	Body	Brass	BS EN 12165 CW617N
5	Stem	Brass	BS EN 12165 CW617N
6	Stem O Ring	EPDM	EPDM WRAS
7	Gland	PTFE	PTFE M111
8	Packing Nut	Brass	CW617N
9	Tee Handle	Aluminium	LM6
10	Washer	Stainless Steel	SS304
11	Lever Nut	Stainless Steel	SS304

Valve Suitability

Product	Steam	Water	Drinking Water	Oil	Air	Gas (Inert)	Gas (Combustible)	Gas (Corrosive)	Gas (Oxygen)
1265	x	✓	✓	✓	✓	x	x	x	x

Max. working parameters

1265	Temp (°c)	Bar	psi
Non Gas	-10 °c to + 120 °c	PN25	

Specification:

Brass Body, Stem and Cap.
Chrome plated Brass ball.
PTFE seats and stem seal.
Quarter Turn, Tight Shut-off.
Tee operated.

This valve is not suitable for use on group 1 gases or unstable fluids, as defined by the Pressure Equipment Directive 97/23/EC.