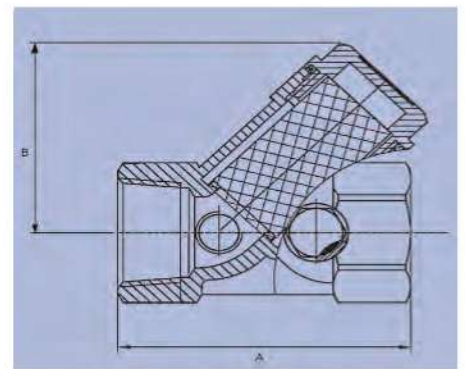




Features and Benefits:

- Streamed-lined design in order to minimise pressure drop
- Stainless steel mesh
- Robust and compact design
- Drilled and tapped for test point bosses available to order
- Threads in accordance with BS EN 10226 (ISO7)



Y Pattern Valve – 1802							
Size	DN	A	B	Weight (kg)	Order code		
					BS EN 10226 (ISO 07) thread	ISO 228 thread	
1/2"	15	65	42	0.152	180210RR0160404	180210FF0160404	
3/4"	20	75	50	0.246	180210RR0160606	180210FF0160606	
1"	25	90	56	0.358	180210RR0160808	180210FF0160808	
1 1/4"	32	110	65	0.584	180210RR0161010	180210FF0161010	
1 1/2"	40	120	75	0.868	180210RR0161212	180210FF0161212	
2"	50	135	90	1.270	180210RR0161616	180210FF0161616	
2 1/2"	65				180210RR0162020	180210FF0162020	
3"	80				180210RR0162424	180210FF0162424	
4"	100				180210RR0163232	180210FF0163232	

No	COMPONENT	Material	1802 - 1/2" - 2"
1	O - Ring	EPDM	EPDM - WRAS
2	Blanking Plug	DZR Brass	BS EN 12164 CW602N
3	Rating Disc	Aluminium	Aluminium
4	Washer	PTFE	PTFE
5	Cap	Brass	BS EN 12165 CW617N
6	Filter Screen	Stainless Steel	SS304
7	Body	Brass	BS EN 12165 CW617N

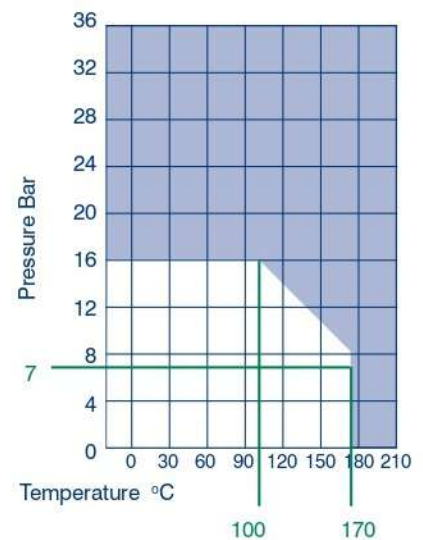
Scale and dirt can cause many problems and damage to equipment installed in pipe systems. The installation of Conex Strainers will assist in reducing problems which might occur due to extraneous matter in pipe runs. Strainers are a low cost investment ensuring a rapid return as they will ensure reduced system downtime and lower maintenance costs.

Valve Suitability									
Product	Steam	Water	Drinking Water	Oil	Air	Gas (Inert)	Gas (Combustible)	Gas (Corrosive)	Gas (Oxygen)
1802	x	✓	✓	✓	✓	x	x	x	x

Max. working parameters			
1802	Temp (°c)	Bar	psi
Non Gas	-10 °c to + 120 °c	PN16	

Specification:

- Brass Body.
- Stainless Steel SS304 Screen.
- Brass screw in Cap.
- End connections to BS EN 10226 (ISO7) or to ISO228.
- Pressure rating PN16
 - 16 bar -10 to +100 degrees C.
 - 7 bar At 170 degrees C.
- Test pressure 24 bar hydraulic.



- The fluid to be transported is limited to Group 2 liquids i.e. non-hazardous and on no account should these valves be used for any Group 2 Gases, Group 1 Liquids or Group1 Gases.