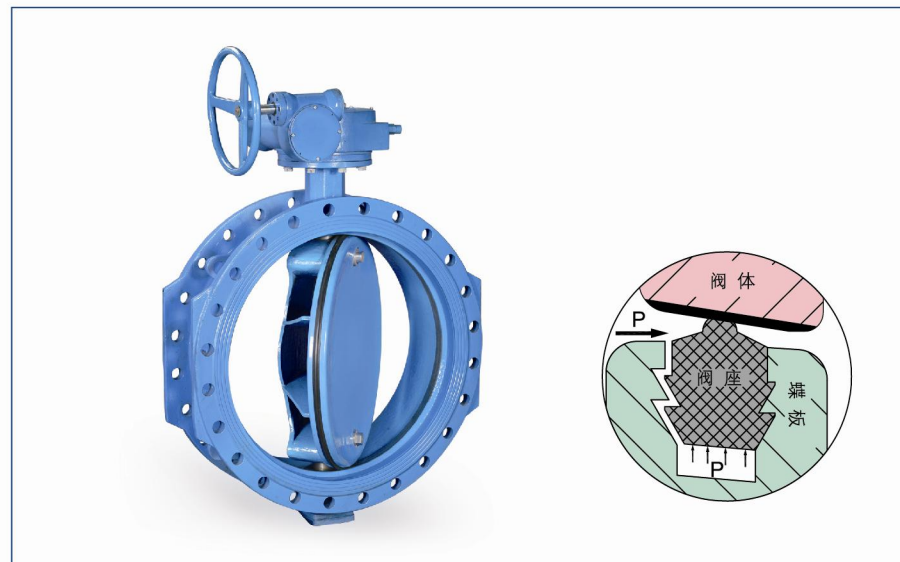


## BF Series Flange Double Eccentric Butterfly Valves



### Product Feature

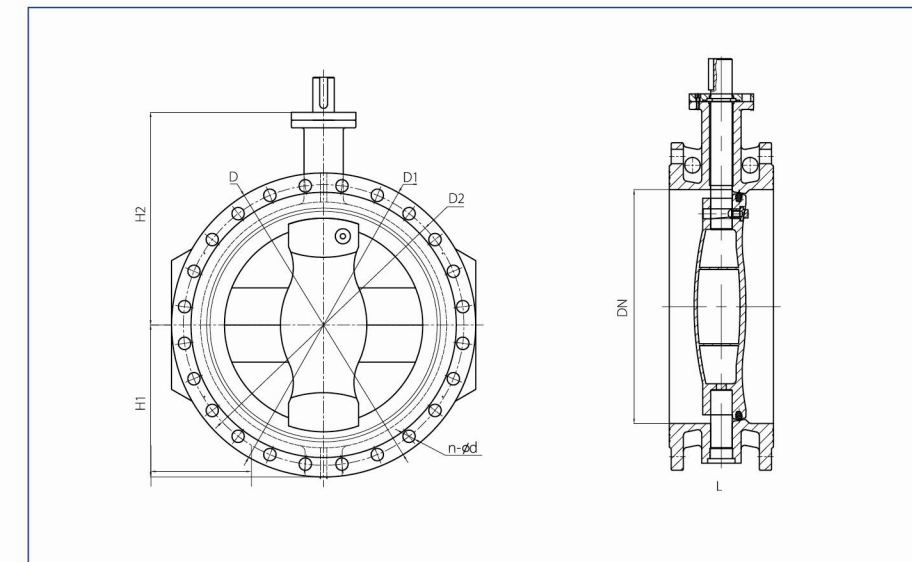
- Eccentric structure
- Self sealing o-ring
- Stainless steel seat
- Wide sealing surface
- Split shaft design
- Horizontal or vertical installation

### Product Summary

Nominal diameter: DN350 ~ DN1200  
 Nominal pressure: PN10/16  
 Seat tightness: 1.1PN  
 Shell tightness: 1.5PN  
 Working temperature: 0 °C ~ 80 °C  
 Medium: Water

### Operator

- BFGX-Gear
- BFTX-Motorised on/off type
- BFAX-Motorised regulated type



### Material

Description	Material	European Standard	American Standard
Body	Ductile Iron	EN-JS1050	A536 65-45-12
Disc	Ductile Iron	EN-JS1050	A536 65-45-12
Stem	Stainless Steel	BS970 420S37	AISI 420
Seat	EPDM/NBR		
Oring	EPDM/NBR		
Pin	Stainless Steel	BS970 420S37	AISI 420
Cover	Ductile Iron	EN-JS1050	A536 65-45-12
Bearing	Bronze	EN1982 CC491K	B62 C83600

### Size Dimension mm

DN	L	H1	H2	D		D1		D2		n-ød	
				PN10	PN16	PN10	PN16	PN10	PN16	PN10	PN16
350	190	240.5	319	505	520	429	429	460	470	16-23	16-28
400	216	265.5	359	565	580	480	480	515	525	16-28	16-31
450	222	305	380	615	640	530	548	565	585	20-28	20-31
500	229	343	415	670	715	582	609	620	650	20-28	20-34
600	267	402	545.5	780	840	682	720	725	770	20-31	20-37
700	292	513	580	895	910	794	794	840	840	24-31	24-37
800	318	582	642	1015	1025	941	941	950	950	24-34	24-40
900	330	658	697	1115	1125	1001	1001	1050	1050	28-34	28-40
1000	410	737	769	1230	1255	1112	1112	1160	1170	28-37	28-43
1200	470	863	902.5	1455	1485	1328	1328	1380	1390	32-40	32-49