

DIN 3352 F5

Gate Valve, Resilient Seated



Product Summary

The Series RV is a range of resilient seat gate valves.

Nominal diameter: DN50~DN300
 Nominal pressure: PN 10/16
 Medium: Water and neutral liquids
 Working temperature: 0 °C~80 °C.

Features

Resilient seated
 Accords with drinking water standard
 Three O shaft seal
 Disc with plastic guide slot
 Epoxy powder coating inside and outside

Options

RVHX-NRS
 RVRX-OS&Y
 RVEX-Electric on/off switch
 RVCX-Stem cap
 RVPL-For underground use

Pressure Test

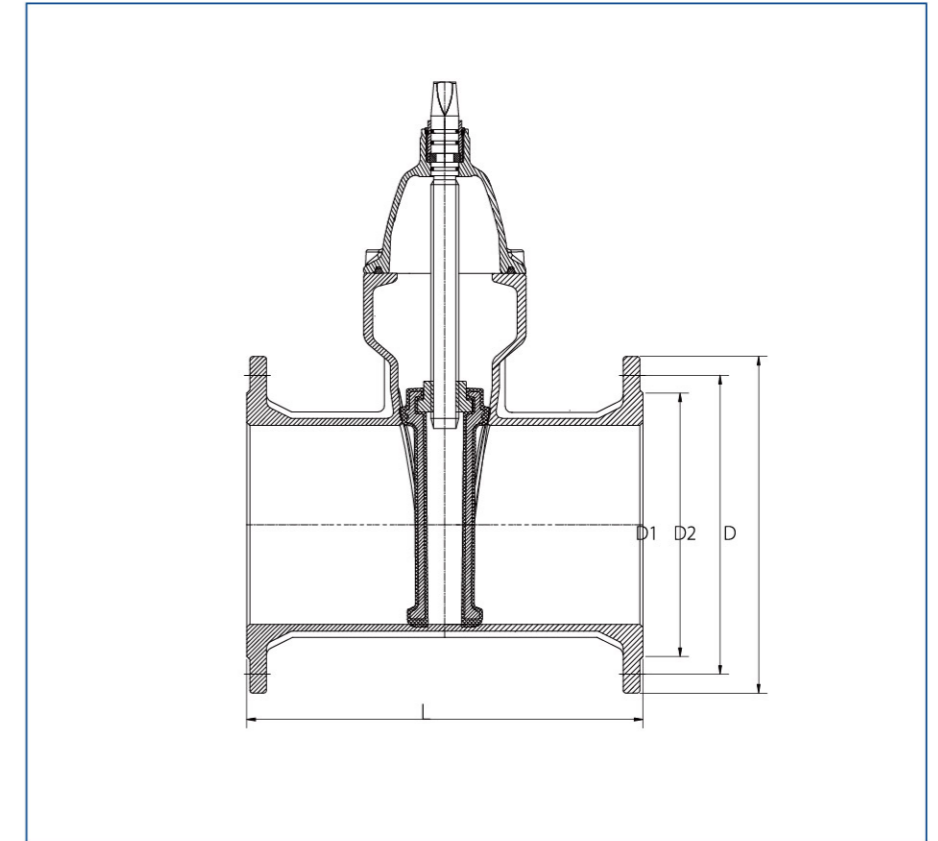
BS EN 12266-2003
 Shell strength: 1.5PN
 Shell tightness: 1.5PN
 Seat tightness: 1.1PN

Applicable Standards

Flanges and drilling to BS EN 1092-2
 Valves comply with DIN 3352-4
 Face to face to DIN 3202 F5

Service Conditions

Max working pressure of PN 10: 10 bar
 (1.0 Mpa)
 Max working pressure of PN 16: 16 bar
 (1.6 Mpa)



Materials Specifications

No.	Description	Material
1	Body	Ductile Iron, EN-JS1040
2	Bonnet	Ductile Iron, EN-JS1040
3	Disc	DI with EPDM Coated, EN-JS1040
4	Stem	Stainless Steel, BS970 420S37
5	O-ring	Rubber EPDM
6	Thrust Collar	Brass, 2874 CZ 124

Dimension (mm)

DN	L (F5)	D1		D2		D		n-ød	
		PN10	PN16	PN10	PN16	PN10	PN16	PN10	PN16
50	250	99	99	125	125	165	165	4-19	4-19
65	270	118	118	145	145	185	185	4-19	4-19
80	280	132	132	160	160	200	200	8-19	8-19
100	300	156	156	180	180	220	220	8-19	8-19
125	325	184	184	210	210	250	250	8-19	8-19
150	350	211	211	240	240	285	285	8-23	8-23
200	400	266	266	295	295	340	340	8-23	12-23
250	450	319	319	350	355	395	405	12-23	12-28
300	500	370	370	400	410	445	460	12-23	12-28