

EN 593, BS 5155

Lug Centric Butterfly Valve



Product Summary

The Series BL is a range of lug centric butterfly valves.

Nominal diameter: DN 50- DN 600

Nominal pressure: PN 10/16

Medium: Water and neutral liquids

Working temperature: 0°C - 80°C

Features

Centric structure

Two-way bearing

Without adding any flange washers

Epoxy powder coating inside and outside

Options

BLLX-Handle operation

BLGX-Worm gear operation

BLTX-Electric (on/off)

BLAX-Modulating electric

Pressure Test

BS EN12266-2003

Shell strength: 1.5 PN

Shell tightness: 1.5 PN

Seat tightness: 1.1 PN

Applicable Standards

Valves comply with EN 593, BS 5155

Standard flange drilling to BS EN1092-2

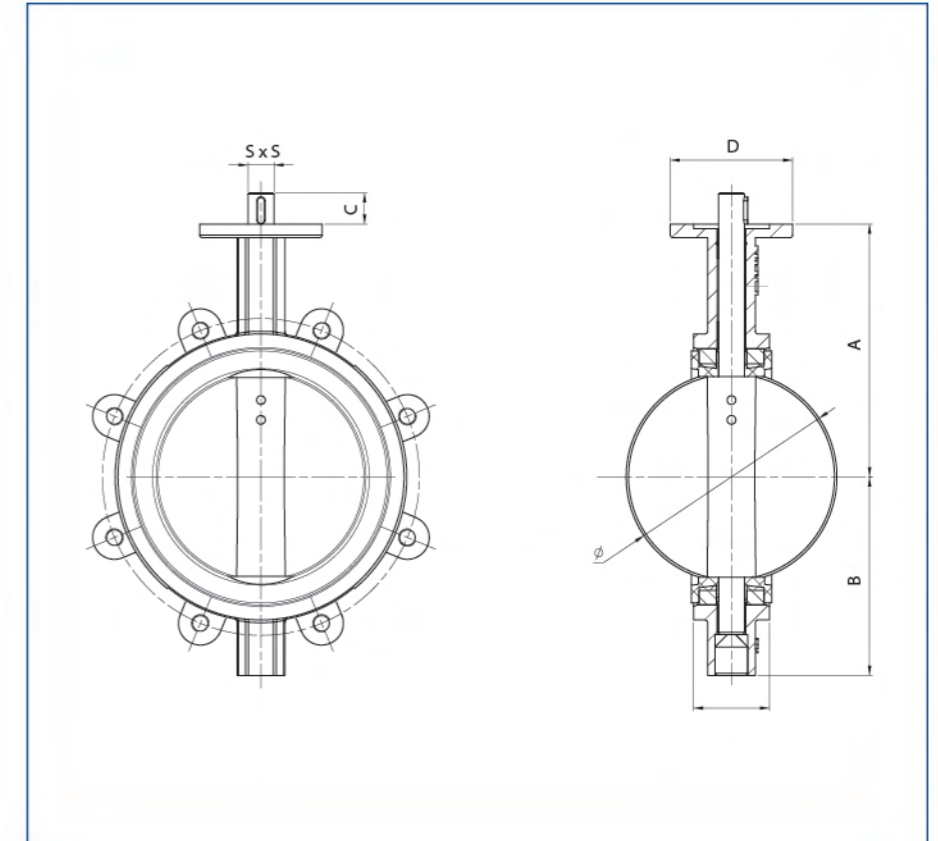
Face to face according to EN 553: 2008

Top flange complies with ISO5211/1

Service Conditions

Max working pressure of PN 10: 10 bar
(1.0 MPa)

Max working pressure of PN 16: 16 bar
(1.6 MPa)



Materials Specifications

Part name	Material	EN Spec.
Body	Ductile Iron	EN-JS1040
Stem	Stainless Steel	BS970 520S37
Disc	Bronze	EN1982 CC491K
	Ductile Iron, Hard Chrome Plated	EN-JS1050
Bushing	Bronze + PTEE	Commercial
Seat	EPDM/NBR	Commercial
O-ring	EPDM/NBR	Commercial

Dimension (mm)

DN	A	B	C	D	E	ø	S x S
50	140	68	30	90	43	56.8	11x11
65	152	76	30	90	46	71.5	11x11
80	160	85	30	90	46	83	11x11
100	180	100	30	90	52	101.5	14x14
125	191	120	30	90	56	127.5	14x14
150	202	132	30	90	56	151.5	17x17
200	241	160	30	125	60	200.5	17x17
250	274	200	30	125	68	251.3	22x22
300	315	230	30	125	78	300.5	22x22
350	388	280	45	150	78	335.5	22x22
400	400	310	45	175	102	393.5	27x27
450	422	340	45	175	114	443.5	27x27
500	480	388	45	210	127	500.5	48
600	562	450	45	210	154	600.8	48