

BS EN1171 OS&Y Gate Valve, Resilient Seated



Product Summary

The Series RVRX is a OS&Y gate valve.

Nominal diameter: DN50~DN300
Nominal pressure: PN 10/16
Medium: Water and neutral liquids
Working temperature: 0 °C~80 °C.

Features

Resilient seated
Accords with drinking water standard
Three O shaft seal
Disc with plastic guide slot
Epoxy powder coating inside and outside

Pressure Test

BS EN 12266-2003
Shell strength: 1.5PN
Shell tightness: 1.5PN
Seat tightness: 1.1PN

Applicable Standards

Valves comply with BS EN 1171
Flanges comply with BS EN 1092-2
Face to face to BS EN 558-1 basic series 3

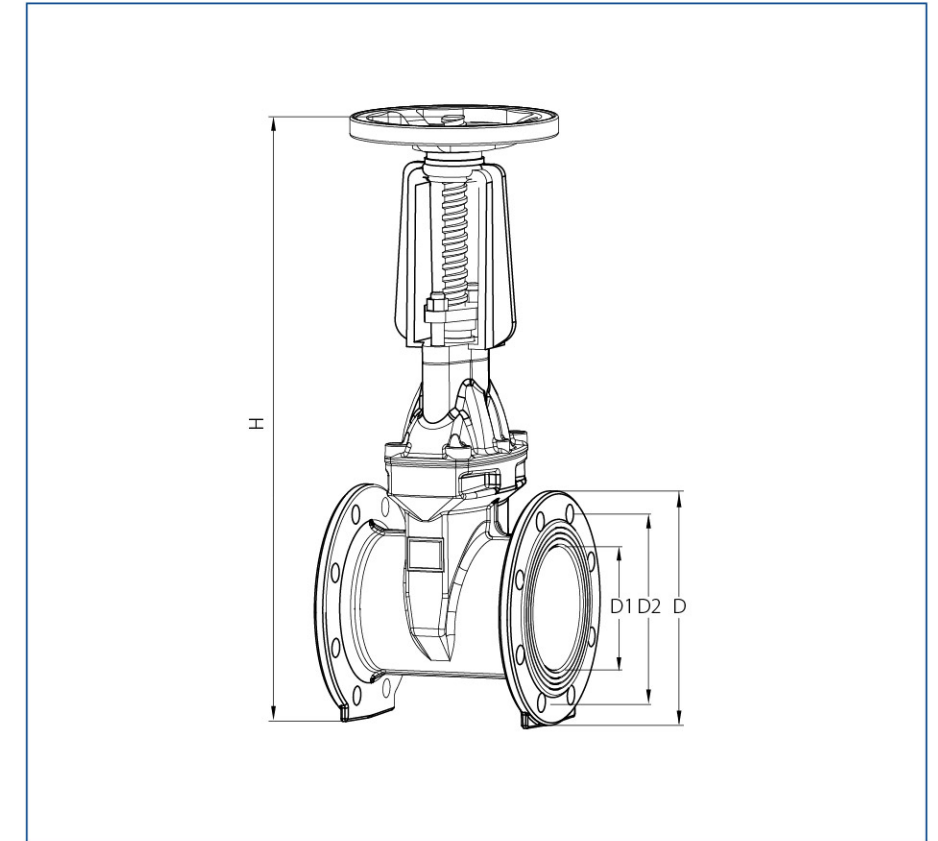
Service Conditions

Max working pressure of PN 10: 10 bar (1.0 Mpa)
Max working pressure of PN 16: 16 bar (1.6 Mpa)



Materials Specifications

No.	Description	Material
1	Body	Ductile Iron EN-JS1040
2	Bonnet	Ductile Iron EN-JS1040
3	Wedge	Ductile Iron with EPDM Coated
4	Stem	Stainless Steel, BS970 420S37
5	Gasket	EPDM
6	Wedge Nut	Brass 2874 CZ 124
7	Yoke	Ductile Iron EN-JS1040
8	Hand Wheel	Ductile Iron EN-JS1040
9	Hand Wheel Nut	Brass 2874 CZ 124
10	O-ring	EPDM



Dimension (mm)

DN	L	H		D1		D2		D		n-ød	
		(open)	(close)	PN10	PN16	PN10	PN16	PN10	PN16	PN10	PN16
50	173	374	322	99	99	125	125	165	165	4-19	4-19
65	190	398	332	118	118	145	145	185	185	4-19	4-19
80	203	429	350	132	132	160	160	200	200	8-19	8-19
100	229	524	420	156	156	180	180	220	220	8-19	8-19
125	254	721	581	184	184	210	210	250	250	8-19	8-19
150	267	736	581	211	211	240	240	285	285	8-23	8-23
200	292	942	736	266	266	295	295	340	340	8-23	12-23
250	330	1143	893	319	319	350	355	395	405	12-23	12-28
300	356	1325	1022	370	370	400	410	445	460	12-23	12-28