

EN 593, BS 5155

Wafer Centric Butterfly Valve



Product Summary

The Series BW is a range of centric wafer butterfly valves.

Nominal diameter: DN 50- DN 600
 Nominal pressure: PN 10/16
 Medium: Water and neutral liquids
 Working temperature: 0°C - 80°C

Features

Centric structure
 Two-way bearing
 Without adding any flange washers
 Epoxy powder coating inside and outside

Options

BWLX-Handle operation
 BWGX-Worm gear operation
 BWTX-Electric (on/off)
 BWAX-Modulating electric

Pressure Test

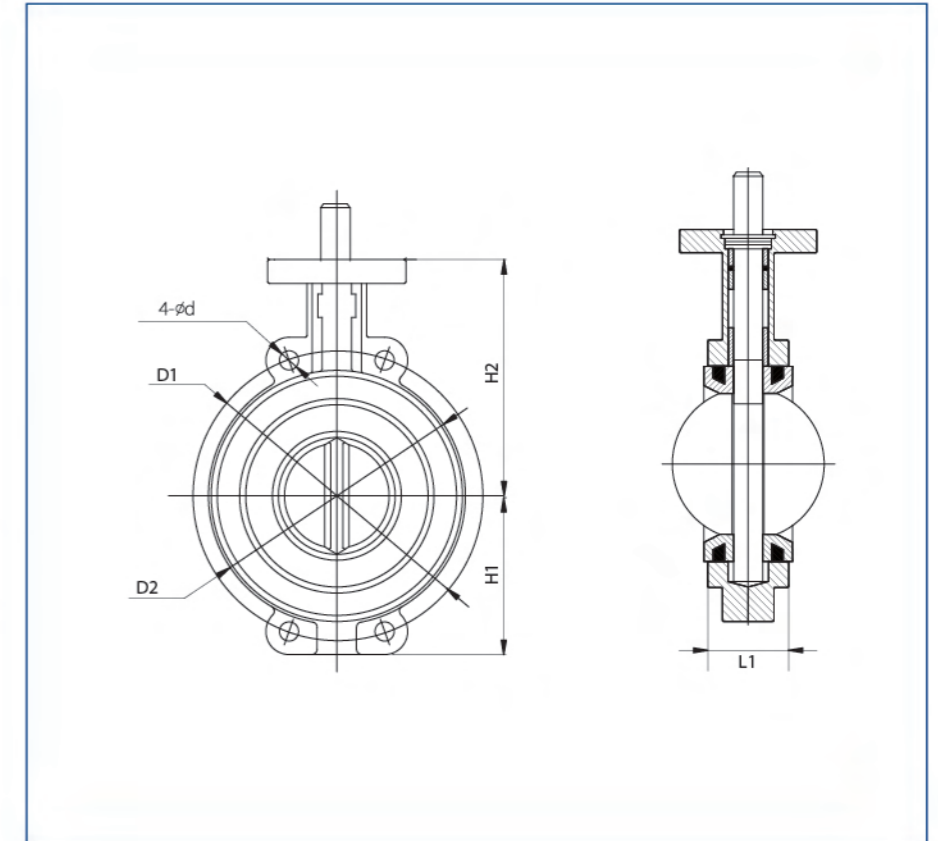
BS EN12266-2003
 Shell strength: 1.5 PN
 Shell tightness: 1.5 PN
 Seat tightness: 1.1 PN

Applicable Standards

Valves comply with EN 593, BS 5155
 Standard flange drilling to BS EN1092-2
 Face to face according to EN 553: 2008
 Top flange complies with ISO5211/1

Service Conditions

Max working pressure of PN 10: 10 bar
 (1.0 MPa)
 Max working pressure of PN 16: 16 bar
 (1.6 MPa)



Materials Specifications

No.	Description	Material
1	Body	Cast Iron, EN- JL 1040 Ductile Iron, EN-JS 1050
2	Disc	Stainless Steel, BS970 304S15 Bronze, EN 1982 CC491K
3	Stem	Stainless Steel, BS970 420S37
4	Seat	Rubber, EPDM/NBR
5	O-ring	Rubber, EPDM/NBR

Dimension (mm)

DN	H1	H2	L1	D1		D2	
				PN10	PN16	PN10	PN16
50	74	124	43	125	125	99	99
65	74	134	46	145	145	118	118
80	89	141	46	160	160	132	132
100	110	156	52	180	180	156	156
125	130	175	56	210	210	184	184
150	146	186	56	240	240	211	211
200	175	218	60	295	295	266	266
250	220	270	68	350	355	319	319
300	250	300	78	400	410	370	370
350	259	368	78	460	470	429	429
400	309	400	102	515	525	480	480
450	327	422	114	565	585	530	548
500	361	480	127	620	650	582	609
600	459	562	154	725	770	682	720